


PRODUCT SHEET

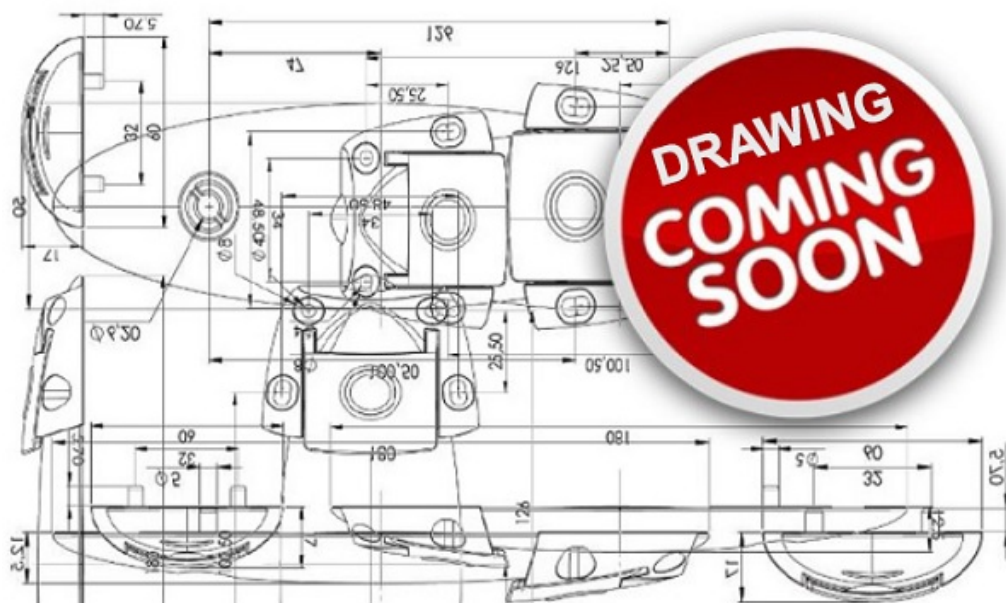
Description:

Spring Washer, DIN 127, Steel, YZP, 2mm, ID 8,1mm, OD 14,8mm

Item number:

12.13.355-0

Units	Box	Carton	HS Code	Barcode
Pcs.	1	2500	7318220098	
				5704866029322



SISO A/S

Mileparken 11
DK-2740 Skovlunde
Denmark
VAT: DK 24786013

Phone +45 45 830 900

www.siso.dk
siso@siso.dk

Danske Bank
Nytorv Branch
Copenhagen
SWIFT: DABADKKK

Account no.
4180 3112 112936
IBAN Account
DK7230003112112936